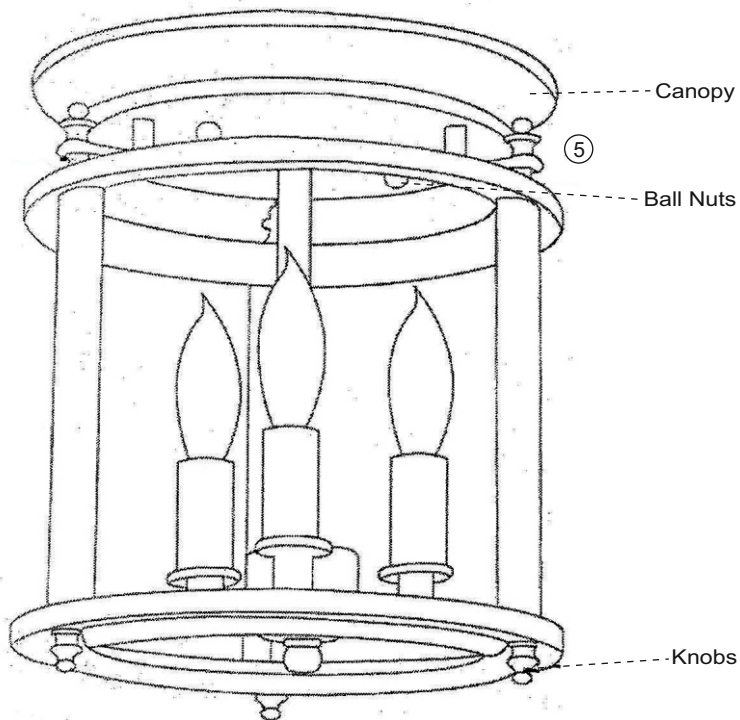
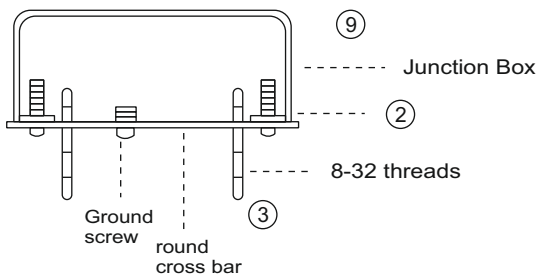


Assembly Instructions for 3018 / 3019

We recommend installation of this fixture be done by a licensed electrician. Turn off power at the main fuse or circuit breaker box.

**** Actual parts may vary slightly depending upon the model**



1. Remove the parts carefully from the box before discarding the carton.
2. Attach the cross bar to the outlet box with ground screw facing down.
3. Thread long screw into the cross bar beyond the canopy of the fixture.
4. If applicable, Fasten ground wire to the green screw. Fasten lead wire with ridges to the white wire. Use wire nut to fasten it. Fasten smooth lead wire to the black wire in the box & use wire nut to fasten it.
5. Using ball nut, fasten the fixture to the outlet box.
6. Install bulbs. (To change bulbs, fixture frame can be taken down by unscrewing knob.)
7. Restore circuit breaker.