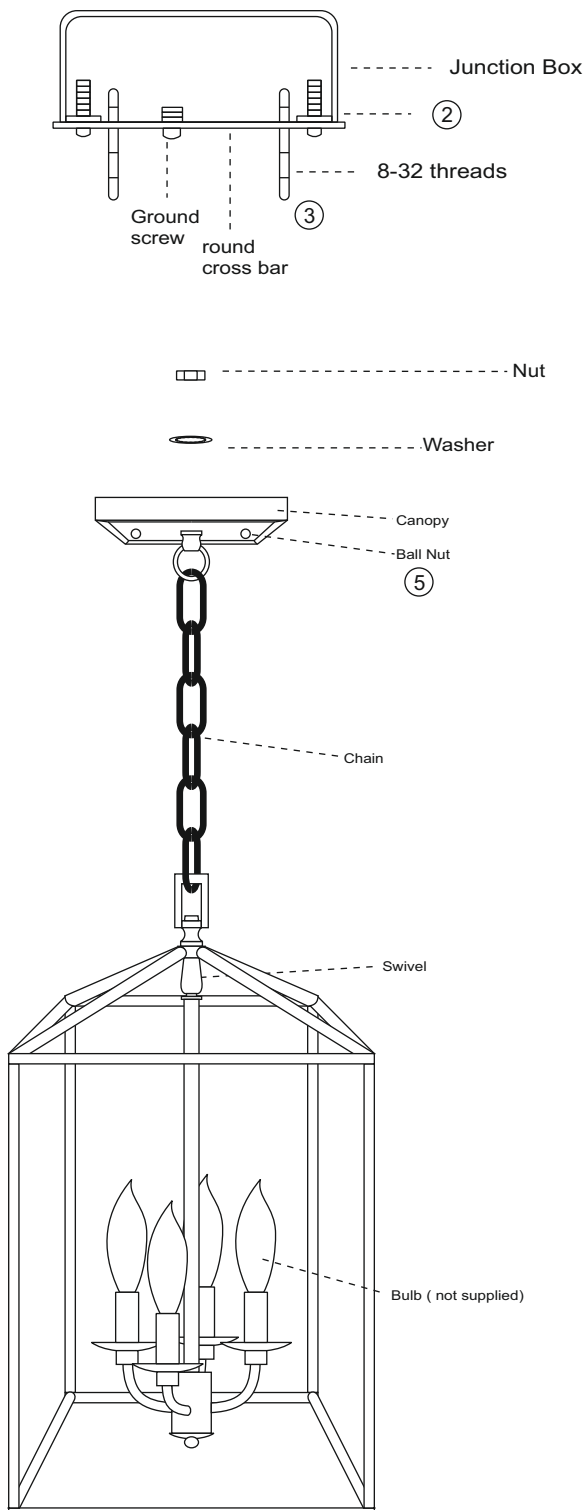


Assembly Instructions for 1140 to 1142

We recommend installation of this fixture be done by a licensed electrician. Turn off power at the main fuse or circuit breaker box.

**** Actual parts may vary slightly depending upon the model**



1. Remove the parts carefully from the box before discarding the carton.
2. Attach the cross bar to the outlet box with ground screw facing down.
3. Remove excess chain links from hanging chain. Measure 6" of lead wire beyond the end of hanging chain.
4. Thread long screws into the cross bar beyond the canopy of the fixture.
5. If applicable, Fasten ground wire to green screw. Fasten lead wire with ridegs to the white wire. Use wire nut to fasten it. Fasten smooth lead wire to the black wire in the box & use wire nut to fasten it.
6. Using ball nut, Fasten the fixture to the outlet box .
7. Install buibs.
8. Restore circuit breaker.